



AVCOMM®

4003GX

Datasheet

Aiming to create better and safer working environments and life experiences through the products we deliver.



AVCOMM Technologies, Inc

www.avcomm.us

Email: info@avcomm.us

Phone: (713) 933-4534

Address: 333 West Loop North, Suite 460
Houston, TX 77024
United States

Reliable Plug and Play Industrial Ethernet Switch for Automation and Electrical OEM

4003GX

Industrial Unmanaged Ethernet Switch

AVCOMM 4003GX is 2-port 10/100/1000Base-TX RJ-45 and 1-port 1000Base-X unmanaged Ethernet switch with reverse polarity protection of AC or DC input. It is highly scalable and can transmit data over long distances through fiber-optic ports. It has wide operation temperature range, high anti-EMI capability to ensure stable work in harsh industrial environments and supports DIN Rail-mounted to facilitate in various industrial network applications.



Features & Benefits

Fast Ethernet Switching

- Two (2) 10/100/1000BaseT(X) RJ-45 ports and one (1) 1000BaseFX port (SC ST SFP optional)
- 1K MAC address table
- Store and forwarding with non-blocking technology

IEEE 802.3u EEE Power Management

- Ultra power consumption efficiency, 2.4 W fully loaded
- Energy Efficient Ethernet for low power requirement
- Idle power saving mode for energy efficiency

Rugged Mechanical Design

- Robust design protects from mechanical deformation
- IP40 industrial rating to withstand harsh environments
- Wide operating temperature range -40°C ~ +85°C

Power protection

- Provide overload protection
- Provide reverse connection protection
- Provide multiple power input options, AC or DC or HV

Ordering Information

Model Name	Description
4003GX	3-Port Industrial Unmanaged Ethernet Switch, 2 RJ45 10/100/1000BaseT(X), 1 1000BaseSFP , DIN-Rail, Single Power Input 12-48VDC, -40°C to +85°C
4003GX-SC	3-Port Industrial Unmanaged Ethernet Switch, 2 RJ45 10/100/1000BaseT(X), 1 1000BaseFX (Multimode, SC style connector) , DIN-Rail, Singler Power Input 12-48VDC, -40°C to +85°C
4003GX-ST	3-Port Industrial Unmanaged Ethernet Switch, 2 RJ45 10/100/1000BaseT(X), 1 1000BaseFX (Multimode, ST style connector) , DIN-Rail, Single Power Input 12-48VDC, -40°C to +85°C

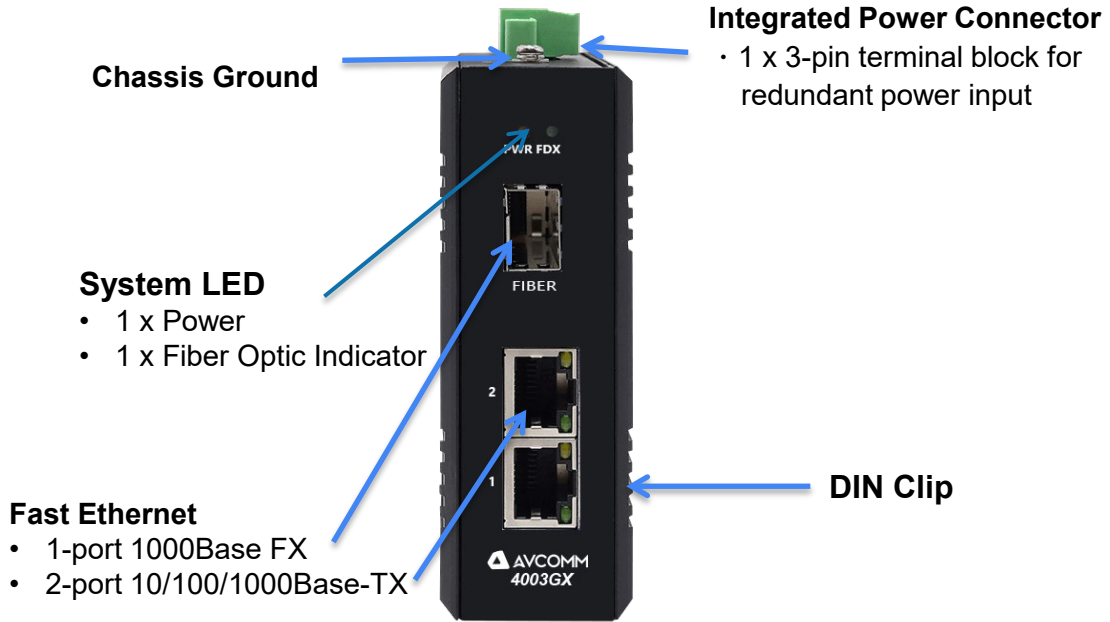
Ordering Information

Model Name	Description
4003GXE-SC-15	3-Port Industrial Unmanaged Ethernet Switch, 2 RJ45 10/100/1000BaseT(X), 1 1000BaseFX (Singlemode, SC style connector, 15Km), DIN-Rail, Single Power Input 12-48VDC, -40°C to +85°C
4003GXE-ST-15	3-Port Industrial Unmanaged Ethernet Switch, 2 RJ45 10/100/1000BaseT(X), 1 1000BaseFX (Singlemode, ST style connector, 15Km), DIN-Rail, Single Power Input 12-48VDC, -40°C to +85°C
4003GXE-SC-40	3-Port Industrial Unmanaged Ethernet Switch, 2 RJ45 10/100/1000BaseT(X), 1 1000BaseFX (Singlemode, SC style connector, 40Km), DIN-Rail, Single Power Input 12-48VDC, -40°C to +85°C
4003GXE-ST-40	3-Port Industrial Unmanaged Ethernet Switch, 2 RJ45 10/100/1000BaseT(X), 1 1000BaseFX (Singlemode, ST style connector, 40Km), DIN-Rail, Single Power Input 12-48VDC, -40°C to +85°C
4003GXE-SC-80	3-Port Industrial Unmanaged Ethernet Switch, 2 RJ45 10/100/1000BaseT(X), 1 1000BaseFX (Singlemode, SC style connector, 80Km), DIN-Rail, Single Power Input 12-48VDC, -40°C to +85°C
4003GXE-ST-80	3-Port Industrial Unmanaged Ethernet Switch, 2 RJ45 10/100/1000BaseT(X), 1 1000BaseFX (Singlemode, ST style connector, 80Km), DIN-Rail, Single Power Input 12-48VDC, -40°C to +85°C
4003GX-SC-AC	3-Port Industrial Unmanaged Ethernet Switch, 2 RJ45 10/100/1000BaseT(X), 1 1000BaseFX (Multimode, SC style connector), DIN-Rail, Dual Power Input 88-264VAC, -40°C to +85°C
4003GX-ST-AC	3-Port Industrial Unmanaged Ethernet Switch, 2 RJ45 10/100/1000BaseT(X), 1 1000BaseFX (Multimode, ST style connector), DIN-Rail, Dual Power Input 88-264VAC, -40°C to +85°C
4003GXE-SC-15-AC	3-Port Industrial Unmanaged Ethernet Switch, 2 RJ45 10/100/1000BaseT(X), 1 1000BaseFX (Singlemode, SC style connector, 15Km), DIN-Rail, Dual Power Input 88-264VAC, -40°C to +85°C
4003GXE-ST-15-AC	3-Port Industrial Unmanaged Ethernet Switch, 2 RJ45 10/100/1000BaseT(X), 1 1000BaseFX (Singlemode, ST style connector, 15Km), DIN-Rail, Dual Power Input 88-264VAC, -40°C to +85°C
4003GXE-SC-40-AC	3-Port Industrial Unmanaged Ethernet Switch, 2 RJ45 10/100/1000BaseT(X), 1 1000BaseFX (Singlemode, SC style connector, 40Km), DIN-Rail, Dual Power Input 88-264VAC, -40°C to +85°C
4003GXE-ST-40-AC	3-Port Industrial Unmanaged Ethernet Switch, 2 RJ45 10/100/1000BaseT(X), 1 1000BaseFX (Singlemode, ST style connector, 40Km), DIN-Rail, Dual Power Input 88-264VAC, -40°C to +85°C
4003GXE-SC-80-AC	3-Port Industrial Unmanaged Ethernet Switch, 2 RJ45 10/100/1000BaseT(X), 1 1000BaseFX (Singlemode, SC style connector, 80Km), DIN-Rail, Dual Power Input 88-264VAC, -40°C to +85°C
4003GXE-ST-80-AC	3-Port Industrial Unmanaged Ethernet Switch, 2 RJ45 10/100/1000BaseT(X), 1 1000BaseFX (Singlemode, ST style connector, 80Km), DIN-Rail, Dual Power Input 88-264VAC, -40°C to +85°C
4003GX-SC-HV	3-Port Industrial Unmanaged Ethernet Switch, 2 RJ45 10/100/1000BaseT(X), 1 1000BaseFX (Multimode, SC style connector), DIN-Rail, Dual Power Input 88-264VDC, -40°C to +85°C
4003GX-ST-HV	3-Port Industrial Unmanaged Ethernet Switch, 2 RJ45 10/100/1000BaseT(X), 1 1000BaseFX (Multimode, ST style connector), DIN-Rail, Dual Power Input 88-264VDC, -40°C to +85°C
4003GXE-SC-15-HV	3-Port Industrial Unmanaged Ethernet Switch, 2 RJ45 10/100/1000BaseT(X), 1 1000BaseFX (Singlemode, SC style connector, 15Km), DIN-Rail, Dual Power Input 88-264VDC, -40°C to +85°C
4003GXE-ST-15-HV	3-Port Industrial Unmanaged Ethernet Switch, 2 RJ45 10/100/1000BaseT(X), 1 1000BaseFX (Singlemode, ST style connector, 15Km), DIN-Rail, Dual Power Input 88-264VDC, -40°C to +85°C
4003GXE-SC-40-HV	3-Port Industrial Unmanaged Ethernet Switch, 2 RJ45 10/100/1000BaseT(X), 1 1000BaseFX (Singlemode, SC style connector, 40Km), DIN-Rail, Dual Power Input 88-264VDC, -40°C to +85°C
4003GXE-ST-40-HV	3-Port Industrial Unmanaged Ethernet Switch, 2 RJ45 10/100/1000BaseT(X), 1 1000BaseFX (Singlemode, ST style connector, 40Km), DIN-Rail, Dual Power Input 88-264VDC, -40°C to +85°C
4003GXE-SC-80-HV	3-Port Industrial Unmanaged Ethernet Switch, 2 RJ45 10/100/1000BaseT(X), 1 1000BaseFX (Singlemode, SC style connector, 80Km), DIN-Rail, Dual Power Input 88-264VDC, -40°C to +85°C
4003GXE-ST-80-HV	3-Port Industrial Unmanaged Ethernet Switch, 2 RJ45 10/100/1000BaseT(X), 1 1000BaseFX (Singlemode, ST style connector, 80Km), DIN-Rail, Dual Power Input 88-264VDC, -40°C to +85°C

 Specifications

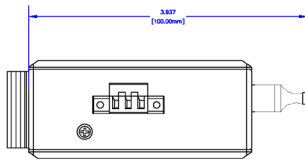
Technology	
Standard	IEEE 802.3, IEEE 802.3u, IEEE 802.3z, IEEE 802.3ab, IEEE 802.3x
Performance	
Switch Technology	Store and Forwarding Technology with non-blocking
Number of MAC Address	1K
Packet Buffer Memory	1 MB
Backplane bandwidth	12 Gbps
Forwarding rate	1488095pps
Interface	
Ethernet Port	2 x 10/100/1000BaseT(x)RJ-45 , 1 x 1000Base FX, auto-MDI/MDI-X
System LED	1 x Power: Green On ; 1 x Fiber Optic Indicator: Green On
Ethernet Port LED	Link (Green On), Active (Green Blinking)
Power Input	3-Pin Removable Terminal Connector
Power Requirement	
Input Voltage	12/24/48VDC (10~50VDC) or 110/220VAC(88~264VAC) or 110/220VDC(88~264VDC) , Redundant
Reverse Polarity Protect	Yes
Power Consumption	100mA@24V
Mechanical	
Enclosure Material	Metal
Dimension	35 mm x 100 mm x 80 mm (W x H x D) without DIN Rail Clip
Ingress Protection	IP40
Weight	470g
Installation method	DIN Rail-mounted
Environmental	
Operating Temperature & Humidity	-40°C ~ +85°C , 0%~95% Non- Condensing
Storage Temperature	-40°C ~ +85°C
MTBF	>2,000,000 hours
Warranty	5 years
Standard	
EMI	FCC Part 15 Subpart B class A, EN55022 class A
EMS	IEC(EN)61000-4-2(ESD) IEC(EN)61000-4-3(RS) IEC(EN)61000-4-4(EFT) IEC(EN)61000-4-5(Surge) IEC(EN)61000-4-6(CS) IEC(EN)61000-4-8 IEC 60068-2-27(Shock)

Function interface

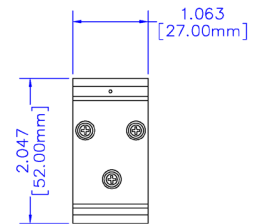


Installation dimensions

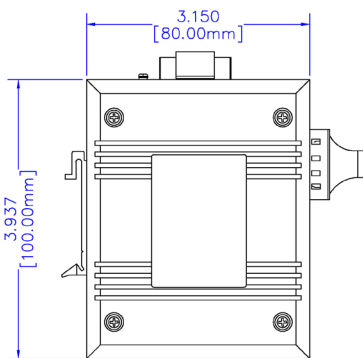
Unit: $\frac{\text{inch} \pm 0.040}{[\text{mm}] \pm 1.00}$



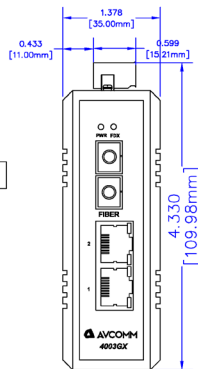
Top view



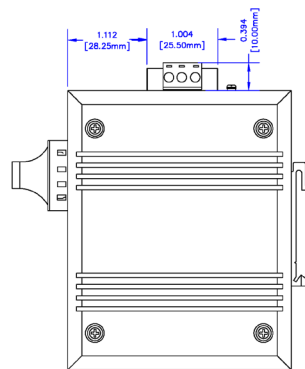
Rail piece



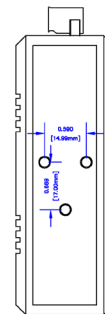
Left side view



Front view



Right side view



Rear view