



AVCOMM®

405TX-PoE Datasheet

Aiming to create better and safer working environments and life experiences through the products we deliver.



AVCOMM Technologies, Inc

www.avcomm.us

Email: info@avcomm.us

Phone: (713) 933-4534

Address: 333 West Loop North, Suite 460
Houston, TX 77024
United States

Reliable Plug and Play Industrial Ethernet Switch for Automation and Electrical OEM

405TX-PoE

Industrial Unmanaged Ethernet Switch

AVCOMM 405TX-PoE unmanaged Ethernet switch is 5-port 10/100Base-TX RJ-45 which supports IEEE802.3af/at (POE), provides connected device 30W per PoE network interface. It is highly scalable and can transmit data over long distances through fiber-optic ports. It has wide operation temperature range, high anti-EMI capability to ensure stable work in harsh industrial environments and supports DIN Rail-mounted/wall-mounted to facilitate in various industrial network applications.



Features & Benefits

Fast Ethernet Switching

- Five (5) 10/100BaseT(X) RJ-45 ports
- 1K MAC address table
- Store and forwarding with non-blocking technology
- Support 4 x 100M PoE, IEEE802.3af/at(PoE)

Power protection

- Provide overload protection
- Provide reverse connection protection

Rugged Mechanical Design

- Robust design protects from mechanical deformation
- IP40 industrial rating to withstand harsh environments
- Wide operating temperature range -40°C ~ +75°C

IEEE 802.3u EEE Power Management

- Up to 30W per PoE port
- Energy Efficient Ethernet for low power requirement
- Idle power saving mode for energy efficiency



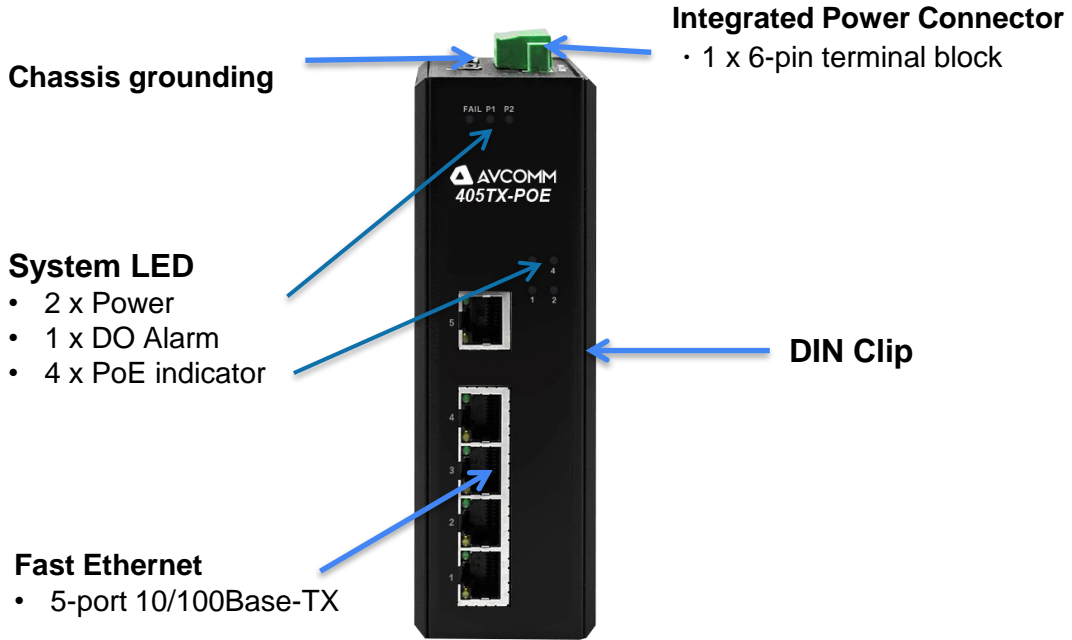
Order Information

Model Name	Description
405TX-PoE	5-Port Industrial Unmanaged PoE Ethernet Switch, 5 RJ45 10/100BaseT(X) with 4 ports PoE/PoE+ supported, Dual power Input 48VDC(46~57), -40°C to +75°C

Specifications

Technology	
Standard	IEEE 802.3af/at, IEEE802.3, IEEE802.3u Flow control:IEEE802.3x flow control, backpressure flow control
Performance	
Switch Technology	Store and Forwarding Technology with non-blocking
Number of MAC Address	1K
Packet Buffer Memory	0.5 MB
Backplane bandwidth	1.2 Gbps
Forwarding rate	1488095 pps
Interface	
Ethernet Port	5 x 10/100/1000Baset(x)RJ-45 , auto-MDI/MDI-X
System LED	2 x Power: Green On ; 1 x DO Alarm: Red on; 4 x PoE Indicator: Green On
Ethernet Port LED	Link (Green On), Active (Green Blinking)
Power Input	6-Pin Removable Terminal Connector
Power Requirement	
Input Voltage	48VDC(46~57) Redundant
Reverse Polarity Protect	Yes
Power Consumption	single POE network interface up to 30W, the total power consumption no more than 80W
Mechanical	
Enclosure Material	Metal
Dimension	150 mm x 47.6 mm x 100 mm (W x H x D)
Ingress Protection	IP40
Weight	830 g
Installation method	DIN Rail-mounted/wall-mounted
Environmental	
Operating Temperature & Humidity	-40°C ~ +75°C , 0%~95% Non- Condensing
Storage Temperature	-40°C ~ +85°C
MTBF	>2,000,000 hours
Warranty	5 years
Standard	
EMI	FCC Part 15 Subpart B class A, EN55022 class A
EMS	IEC(EN)61000-4-2(ESD) IEC(EN)61000-4-3(RS) IEC(EN)61000-4-4(EFT) IEC(EN)61000-4-5(Surge) IEC(EN)61000-4-6(CS) IEC(EN)61000-4-8 IEC 60068-2-27(Shock) IEC 60068-2-32(Freefall) IEC 60068-2-6(Vibration)

Function interface



Installation dimensions

