



AVCOMM®

# 408TX-PoE Datasheet

Aiming to create better and safer working environments and life experiences through the products we deliver.



AVCOMM Technologies, Inc

[www.avcomm.us](http://www.avcomm.us)

Email: [info@avcomm.us](mailto:info@avcomm.us)

Phone: (713) 933-4534

Address: 333 West Loop North, Suite 460  
Houston, TX 77024  
United States

## Reliable Plug and Play Industrial Ethernet Switch for Automation and Electrical OEM

### 408TX-PoE

#### Industrial Unmanaged Ethernet Switch

AVCOMM 408TX-PoE unmanaged Ethernet switch is 8-port 10/100/1000Base-TX RJ-45 which supports IEEE802.3af/at (POE), provides connected device 30W per PoE network interface. It is highly scalable and can transmit data over long distances through fiber-optic ports. It has wide operation temperature range, high anti-EMI capability to ensure stable work in harsh industrial environments and supports DIN Rail-mounted/wall-mounted to facilitate in various industrial network applications.



#### Features & Benefits

##### Fast Ethernet Switching

- Eight (8) 10/100/1000BaseT(X) RJ-45 ports
- 2 K MAC address table
- Store and forwarding with non-blocking technology
- Support 8 x 100M PoE, IEEE802.3af/at(PoE)

##### Power protection

- Provide overload protection
- Provide reverse connection protection

##### Rugged Mechanical Design

- Robust design protects from mechanical deformation
- IP40 industrial rating to withstand harsh environments
- Wide operating temperature range -40°C ~ +75°C

##### IEEE 802.3u EEE Power Management

- Up to 30W per PoE port
- Energy Efficient Ethernet for low power requirement
- Idle power saving mode for energy efficiency



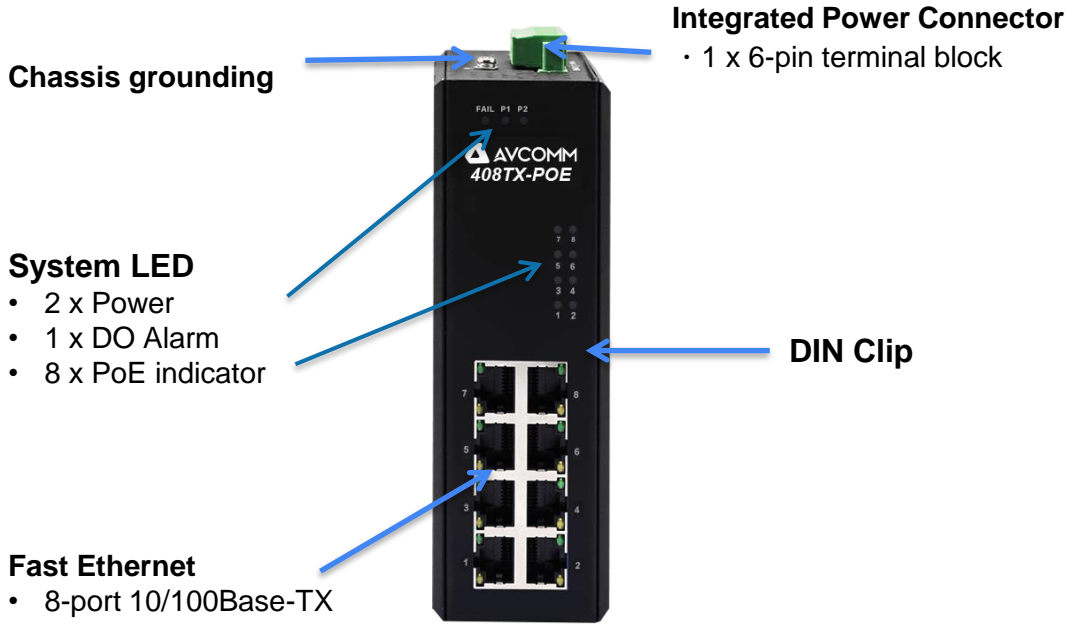
#### Order Information

Model Name	Description
408TX-PoE	8-Port Industrial Unmanaged PoE Ethernet Switch, 8 RJ45 10/100BaseT(X) with 8 ports PoE/PoE+ supported, dual power Input 48VDC(46~57), -40°C to +75°C

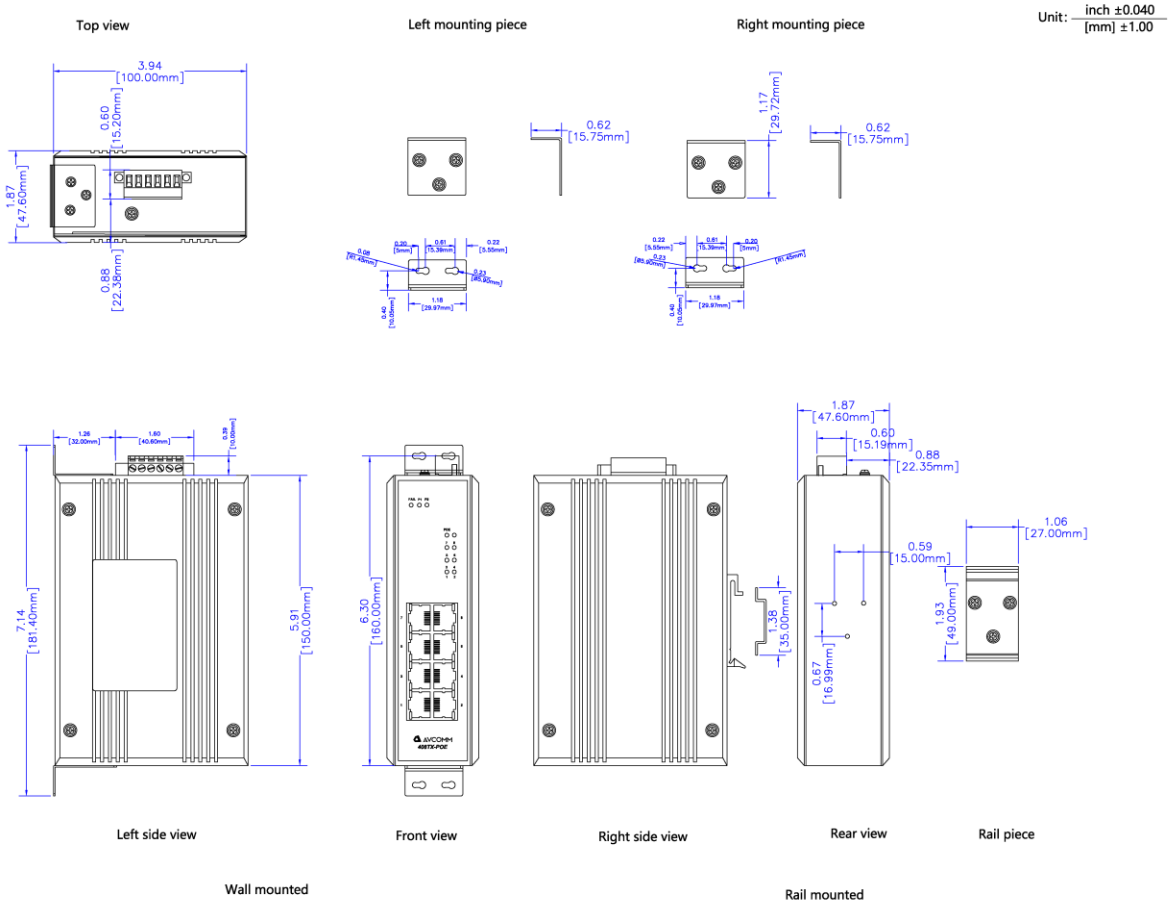
 Specifications

Technology	
Standard	IEEE 802.3af/at, IEEE802.3, IEEE802.3u Flow control:IEEE802.3x flow control, backpressure flow control
Performance	
Switch Technology	Store and Forwarding Technology with non-blocking
Number of MAC Address	2 K
Packet Buffer Memory	1 MB
Backplane bandwidth	2 Gbps
Forwarding rate	1488095 pps
Interface	
Ethernet Port	8 x 10/100/1000Baset(x)RJ-45 , auto-MDI/MDI-X
System LED	2 x Power: Green On ; 1 x DO Alarm: Red on; 8 x PoE Indicator: Green On
Ethernet Port LED	Link (Green On), Active (Green Blinking)
Power Input	6-Pin Removable Terminal Connector
Power Requirement	
Input Voltage	48VDC(46~57), redundant
Reverse Polarity Protect	Yes
Power Consumption	single POE network interface up to 30W, the total power consumption no more than 150W
Mechanical	
Enclosure Material	Metal
Dimension	150 mm x 47.6 mm x 100 mm (W x H x D)
Ingress Protection	IP40
Weight	920 g
Installation method	DIN Rail-mounted/wall-mounted
Environmental	
Operating Temperature & Humidity	-40°C ~ +75°C , 0%~95% Non- Condensing
Storage Temperature	-40°C ~ +85°C
MTBF	>2,000,000 hours
Warranty	5 years
Standard	
EMI	FCC Part 15 Subpart B class A, EN55022 class A
EMS	IEC(EN)61000-4-2(ESD) IEC(EN)61000-4-3(RS) IEC(EN)61000-4-4(EFT) IEC(EN)61000-4-5(Surge) IEC(EN)61000-4-6(CS) IEC(EN)61000-4-8 IEC 60068-2-27(Shock) IEC 60068-2-32(Freefall) IEC 60068-2-6(Vibration)

## Function interface



## Installation dimensions



AVCOMM Technologies, Inc. All rights reserved. Trademarks and trade names that may be used in this document are owned by their respective companies. Specifications subject to change without notice. Please ask our sales for the most up-to-date product information. Avcomm Technologies Inc. Add: 333 West Loop North Ste. 460, Houston, TX 77024