



AVCOMM®

# 4005GX-POE

## Datasheet

Aiming to create better and safer working environments and life experiences through the products we deliver.



AVCOMM Technologies, Inc

[www.avcomm.us](http://www.avcomm.us)

Email: [info@avcomm.us](mailto:info@avcomm.us)

Phone: (713) 933-4534

Address: 333 West Loop North, Suite 460  
Houston, TX 77024  
United States

## Reliable Plug and Play Industrial Ethernet Switch for Automation and Electrical OEM

### 4005GX-PoE

#### Industrial Unmanaged Ethernet Switch

AVCOMM 4005GX-PoE unmanaged Ethernet switch is 1-port 1000Base-X and 4-port 10/100/1000Base-TX RJ-45 which supports IEEE802.3af/at (PoE), provides connected device 30W per PoE network interface. It is highly scalable and can transmit data over long distances through fiber-optic ports. It has wide operation temperature range, high anti-EMI capability to ensure stable work in harsh industrial environments and supports DIN Rail-mounted/wall-mounted to facilitate in various industrial network applications.



#### Features & Benefits

##### Fast Ethernet Switching

- Four (4) 10/100/1000BaseT(X) RJ-45 ports and one (1) 1000BaseFX port (SC ST FC optional)
- 1K MAC address table
- Store and forwarding with non-blocking technology
- Support 4 x 1000M PoE, IEEE802.3af/at(PoE)

##### Power protection

- Provide overload protection
- Provide reverse connection protection

##### Rugged Mechanical Design

- Robust design protects from mechanical deformation
- IP40 industrial rating to withstand harsh environments
- Wide operating temperature range -40°C ~ +75°C

##### IEEE 802.3u EEE Power Management

- Up to 30W per PoE port
- Energy Efficient Ethernet for low power requirement
- Idle power saving mode for energy efficiency

#### Order Information

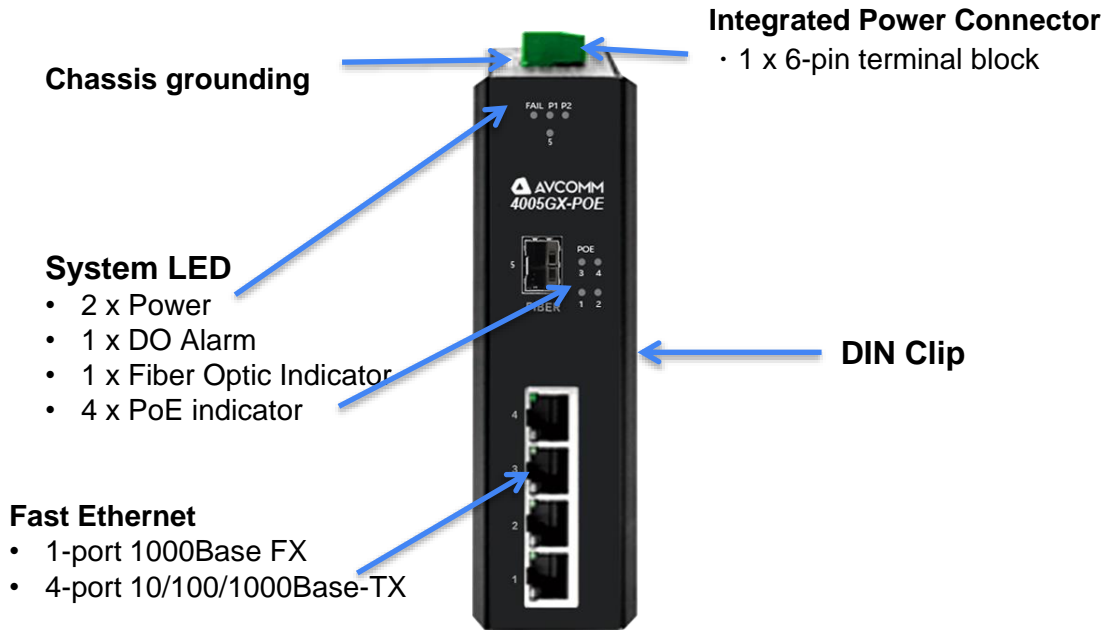
Model Name	Description
4005GX-PoE-SC	5-Port Industrial Unmanaged PoE Ethernet Switch, 4 RJ45 10/100/1000BaseT(X) with PoE/PoE+ supported, 1 1000BaseFX (Multimode, SC style connector), Dual power Input 48VDC(46~57), -40°C to +75°C
4005GX-PoE-ST	5-Port Industrial Unmanaged PoE Ethernet Switch, 4 RJ45 10/100/1000BaseT(X) with PoE/PoE+ supported, 1 1000BaseFX (Multimode, ST style connector), Dual power Input 48VDC(46~57), -40°C to +75°C
4005GX-PoE-FC	5-Port Industrial Unmanaged PoE Ethernet Switch, 4 RJ45 10/100/1000BaseT(X) with PoE/PoE+ supported, 1 1000BaseFX (Multimode, FC style connector), Dual power Input 48VDC(46~57), -40°C to +75°C
4005GX-PoE-SFP	5-Port Industrial Unmanaged PoE Ethernet Switch, 4 RJ45 10/100/1000BaseT(X) with PoE/PoE+ supported, 1 1000BaseFX (SFP slot), Dual power Input 48VDC(46~57), -40°C to +75°C

 Specifications

<b>Technology</b>		
Standard	IEEE 802.3af/at, IEEE802.3, IEEE802.3u Flow control:IEEE802.3x flow control, backpressure flow control	
<b>Performance</b>		
Switch Technology	Store and Forwarding Technology with non-blocking	
Number of MAC Address	1K	
Packet Buffer Memory	0.5 MB	
Backplane bandwidth	1.2 Gbps	
Forwarding rate	1488095 pps	
<b>Interface</b>		
Ethernet Port	4 x 10/100/1000BaseT(x)RJ-45 , 1 x 1000Base FX, auto-MDI/MDI-X	
System LED	2 x Power: Green On ; 1 x DO Alarm: Red on; 1 x Fiber Optic Indicator: Green On; 4 x PoE Indicator: Green On	
Ethernet Port LED	Link (Green On), Active (Green Blinking)	
Power Input	6-Pin Removable Terminal Connector	
<b>Power Requirement</b>		
Input Voltage	48VDC(46~57)	
Reverse Polarity Protect	Yes	
Power Consumption	single POE network interface up to 30W, the total power consumption no more than 80W	
<b>Mechanical</b>		
Enclosure Material	Metal	
Dimension	150 mm x 47.6 mm x 100 mm (W x H x D)	
Ingress Protection	IP40	
Weight	830 g	
Installation method	DIN Rail-mounted/wall-mounted	
<b>Environmental</b>		
Operating Temperature & Humidity	-40°C ~ +75°C , 0%~95% Non- Condensing	
Storage Temperature	-40°C ~ +85°C	
MTBF	>2,000,000 hours	
Warranty	5 years	
<b>Standard</b>		
EMI	FCC Part 15 Subpart B class A, EN55022 class A	
EMS	IEC(EN)61000-4-2(ESD) IEC(EN)61000-4-3(RS) IEC(EN)61000-4-4(EFT) IEC(EN)61000-4-5(Surge) IEC(EN)61000-4-6(CS) IEC(EN)61000-4-8 IEC 60068-2-27(Shock) IEC 60068-2-32(Freefall) IEC 60068-2-6(Vibration)	
<b>100Base FX</b>		
Multi Mode	AVC-SFP-FX-SX (550m)	Wavelength: 850 nm
	AVC-SFP-FX-S (2km)	Wavelength: 1310 nm
Single Mode	AVC-SFP-FX-10 (10km)	Wavelength: 1310 nm
<b>1000Base FX</b>		
Multi Mode	AVC-SFP-SX (550m)	Wavelength: 850 nm
	AVC-SFP-LX-S (2km)	Wavelength: 1310 nm
Single Mode	AVC-SFP-LX-10 (10km)	Wavelength: 1310 nm

AVCOMM Technologies, Inc. All rights reserved. Trademarks and trade names that may be used in this document are owned by their respective companies. Specifications subject to change without notice. Please ask our sales for the most up-to-date product information. Avcomm Technologies Inc. Add: 333 West Loop North Ste. 460, Houston, TX 77024

## Function interface



## Installation dimensions

