



620GX4

Datasheet

Aiming to create better and safer working environments and life experiences through the products we deliver.



AVCOMM Technologies, Inc

www.avcomm.us

Email: info@avcomm.us

Phone: (713) 933-4534

Address: 333 West Loop North, Suite 460
Houston, TX 77024
United States

Reliable Plug and Play Industrial Ethernet Switch for Automation and Electrical OEM

620GX4

Industrial Management Switch

AVCOMM 620GX4 is managed Industrial Ethernet Switch which provide sixteen 10/100baseTX ports, four 1000Base-X ports and one console port. It supports CLI management and Ethernet layer-2 protocol to ensure the stability of the data transmission. Fanless design with low power consumption and high anti-EMI capability enable the stable operation in harsh industrial environments. AVCOMM 620GX4 supports DIN Rail-mounted to facilitate in various industrial network applications.



Features & Benefits

Fast Ethernet Switching

- Sixteen(16) 10 /100BaseTX RJ-45 ports and four(4) 1000Base-X ports(SC ST SFP optional)
- 8K MAC address table
- Store and forwarding with non-blocking technology

IEEE 802.3u EEE Power Management

- Ultra power consumption efficiency, 20W fully loaded
- Energy Efficient Ethernet for low power requirement
- Idle power saving mode for energy efficiency

Rugged Mechanical Design

- Robust design protects from mechanical deformation
- IP40 industrial rating to withstand harsh environments
- Wide operating temperature range -40°C ~ +75°C
- IEC61000-6-2 /IEC61000-6-4 heavy industry EMS standards

Power protection

- Provide overload protection
- Provide reverse connection protection

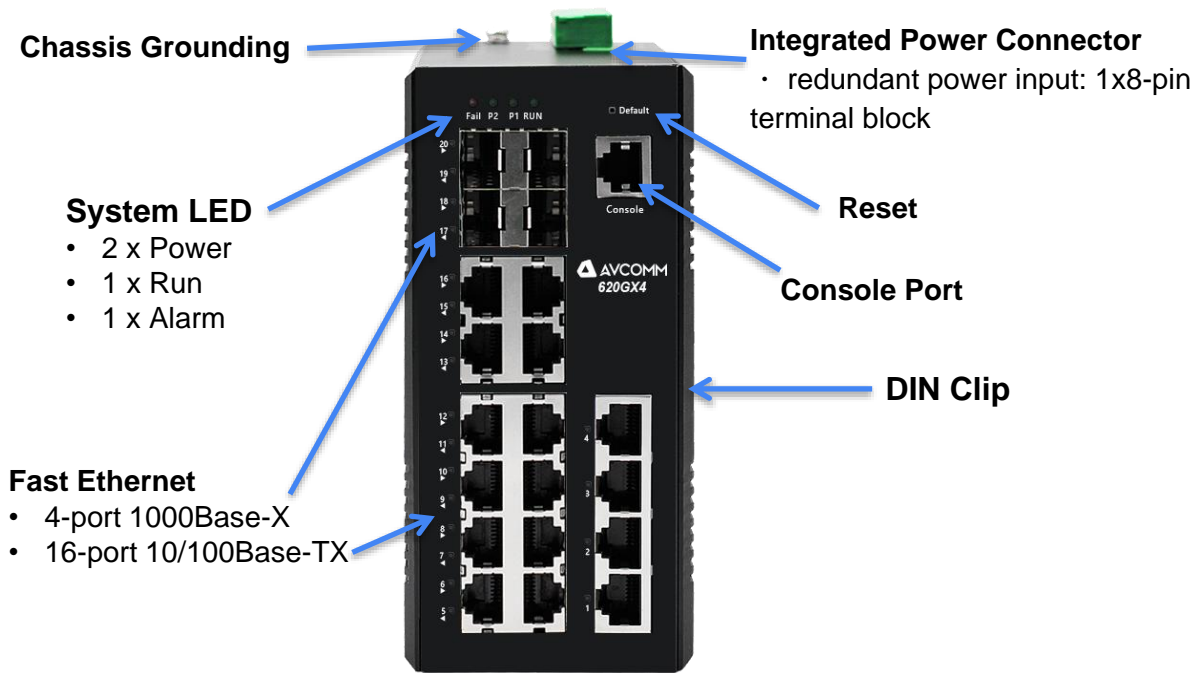
Order Information

Model Name	Description
620GX4-SFP	20-Port Fully Managed Industrial Ethernet Switch, 16 RJ45 10/100BaseT(X), 4 1000Base-X (SFP) , DIN-Rail, Dual Power Input 10-50VDC, -40°C to +75°C
620GX4-4SC	20-Port Fully Managed Industrial Ethernet Switch, 12 RJ45 10/100BaseT(X),4 100BaseFX (Multimode, SC style connector), 4 1000Base-X (Multimode, SC style connector) , DIN-Rail, Dual Power Input 10-50VDC, -40°C to +75°C
620GX4-4ST	20-Port Fully Managed Industrial Ethernet Switch, 12 RJ45 10/100BaseT(X),4 100BaseFX (Multimode, ST style connector) , 4 1000Base-X (Multimode, ST style connector) , DIN-Rail, Dual Power Input 10-50VDC, -40°C to +75°C

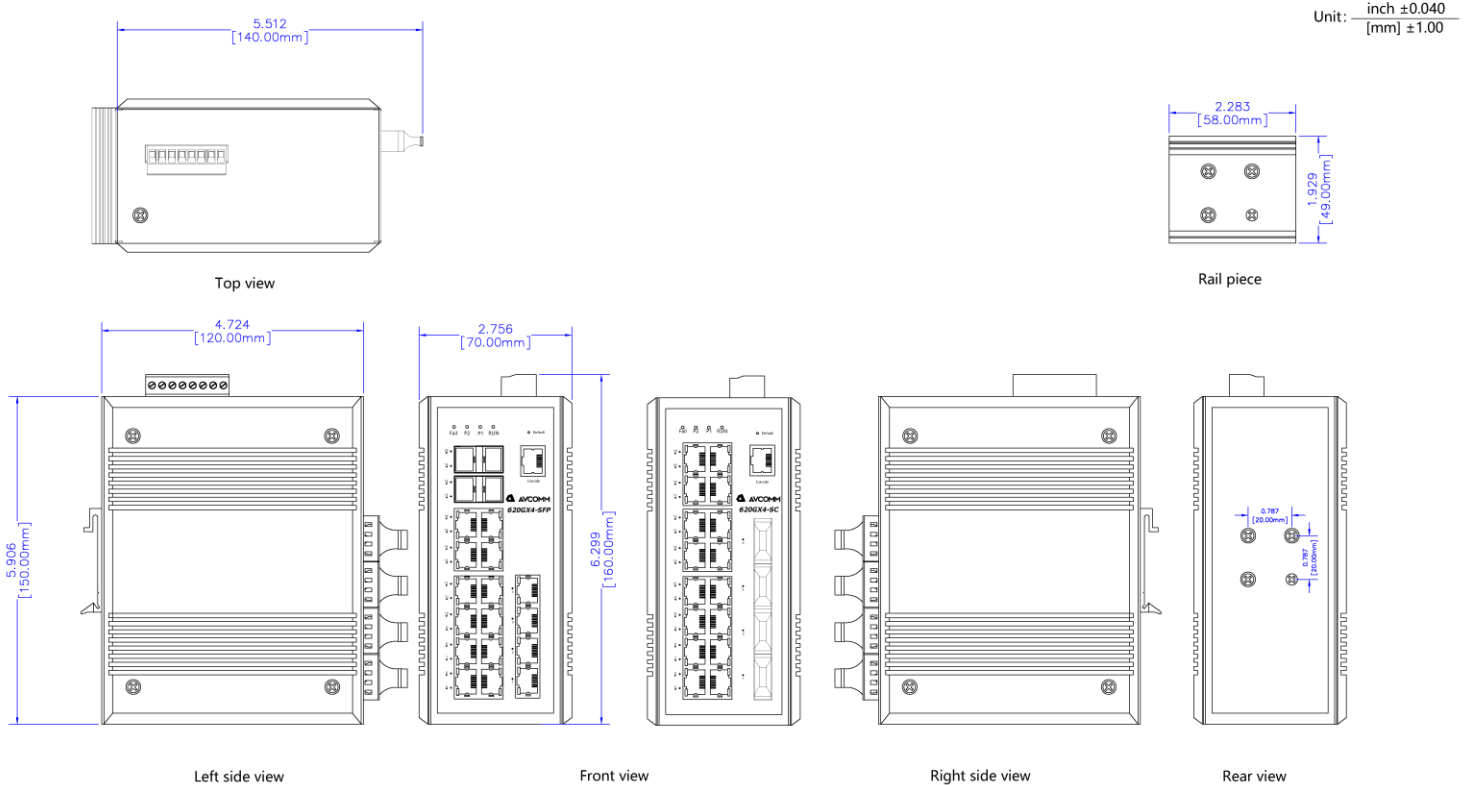
 Specifications

Technology		
Standard	IEEE802.3, IEEE802.3u, IEEE802.3ab, IEEE802.3x, IEEE802.3z, IEEE802.1Q, IEEE802.1p, IEEE802.1D, IEEE802.1W, IEEE802.1x	
Performance		
Switch Technology	Store and Forwarding Technology	
Number of MAC Address	8K	
Packet Buffer Memory	3 MB	
Backplane bandwidth	11.2 Gbps	
Forwarding rate	148810pps/1488095pps	
Interface		
Ethernet Port	16 x 10/100BaseT(x)RJ-45, auto-MDI/MDI-X, 4 x 1000Base-X	
System LED	2 x Power: Green On, 1 x DO Alarm: Red on, 1 x Run: Green On	
Ethernet Port LED	Link (Green On), Active (Green Blinking)	
Power Input	Pluggable 8-pin terminals (V-/N, V+/L, V-/N, V+/L)	
Power Requirement		
Input Voltage	12/24/48VDC(10.8~52.8VDC), Redundant	
Reverse Polarity Protect	Yes	
Power Consumption	830mA@24V	
Mechanical		
Enclosure Material	Metal	
Dimension	70 mm x 150 mm x 120 mm (W x H x D) without DIN Rail Clip	
Ingress Protection	IP40	
Weight	≤2000g	
Installation method	DIN Rail-mounted	
Environmental		
Operating Temperature & Humidity	-40°C ~ +75°C , 0%~+95% Non- Condensing	
Storage Temperature	-40°C ~ +85°C	
MTBF	>2,000,000 hours	
Warranty	5 years	
Standard		
EMI	FCC Part 15, CISPR (EN55022) class A	
EMS	IEC(EN)61000-4-2(ESD) IEC(EN)61000-4-3(RS) IEC(EN)61000-4-4(EFT) IEC(EN)61000-4-5(Surge) IEC(EN)61000-4-6(CS) IEC(EN)61000-4-8 IEC 60068-2-27(Shock) IEC 60068-2-32(Freefall)	
100Base FX		
Multi Mode	AVC-SFP-FX-SX (550m)	Wavelength: 850 nm
	AVC-SFP-FX-S (2km)	Wavelength: 1310 nm
Single Mode	AVC-SFP-FX-10 (10km)	Wavelength: 1310 nm
1000Base FX		
Multi Mode	AVC-SFP-SX (550m)	Wavelength: 850 nm
	AVC-SFP-LX-S (2km)	Wavelength: 1310 nm
Single Mode	AVC-SFP-LX-10 (10km)	Wavelength: 1310 nm

Function interface



Installation dimensions



AVCOMM Technologies, Inc. All rights reserved. Trademarks and trade names that may be used in this document are owned by their respective companies. Specifications subject to change without notice. Please ask our sales for the most up-to-date product information. Avcomm Technologies Inc. Add: 333 West Loop North Ste. 460, Houston, TX 77024