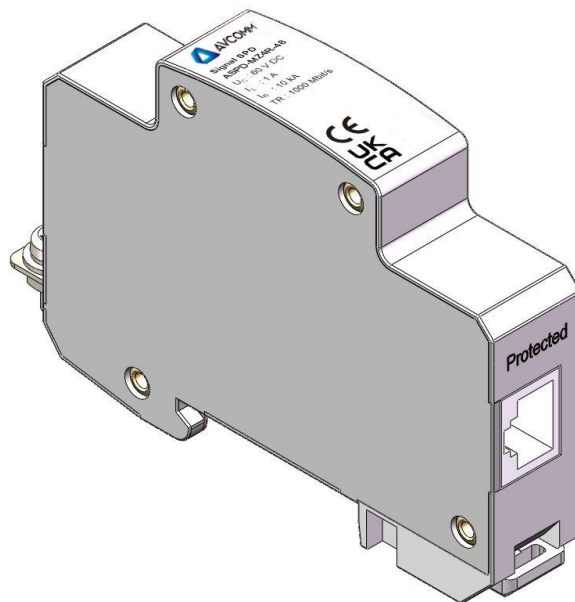




ASPD-MZ4R-48

Datasheet

Aiming to create better and safer working environments and life experiences through the products we deliver.



AVCOMM Technologies, Inc

www.avcomm.us

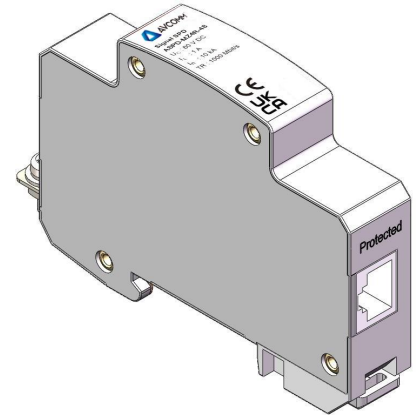
Email: info@avcomm.us

Phone: (713) 933-4534

Address: 333 West Loop North, Suite 460
Houston, TX 77024
United States

Signal SPD

The ASPD-MZ4R-48 signal surge protector is connected to the protected equipment and is primarily used for the protection of internal Gigabit Ethernet interface circuits. It also features POE protection, effectively enhancing the Ethernet network's resistance to surges and lightning impulses. Both input and output ports are equipped with RJ45 sockets, and they are connected to the protected device using Category 5 shielded twisted-pair cables terminated with RJ45 plugs. When the transmission line experiences overvoltage due to lightning induction, the lightning current is safely discharged to the ground through the surge protector's lightning path, thereby ensuring the safety of the device.



Ordering Information

Model Name	Description
ASPD-MZ4R-48	POE protection, nominal operating voltage 48VDC, max continuous operating voltage 60VDC, 1000Mbps, 1*RJ45, -40°C to +85°C, IP20.



Specifications

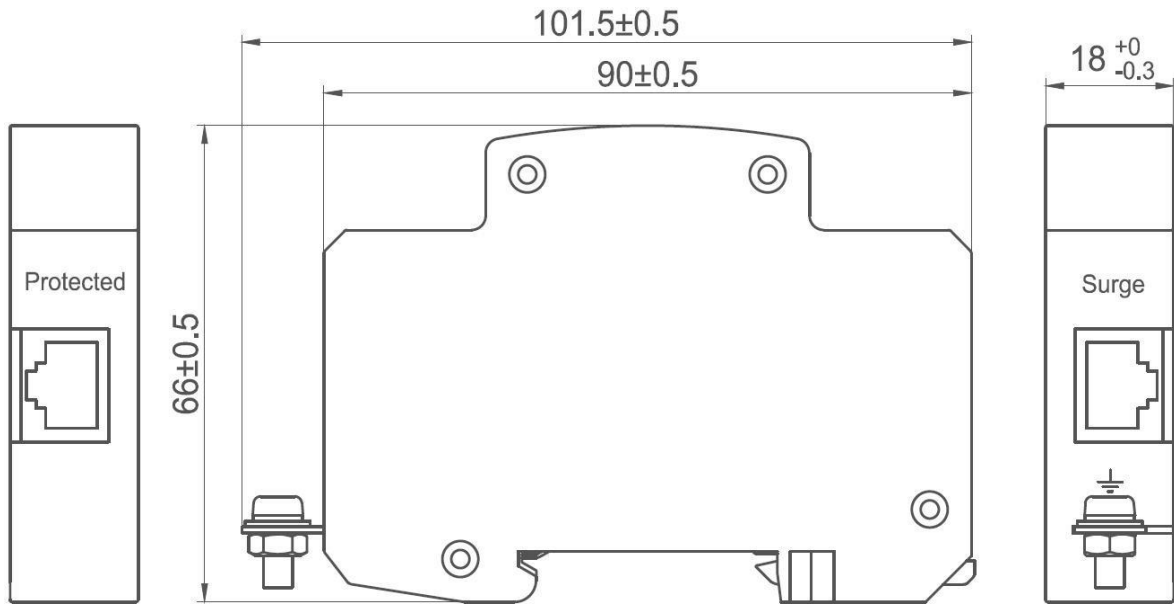
Technology		
Impact Category		C2, D1
Nominal Operating Voltage U_N		48 V DC
Maximum Continuous Operating Voltage U_C		60 V DC
Rated Current $I_L(25^\circ\text{C})$		1 A
Nominal Discharge Current I_n 8/20 μs	Line-Line	150 A
	Line-PE	1.5 kA
Total Nominal Discharge Current I_n 8/20 μs	8 Line-PE	10 kA
D1 Surge Discharge Current I_{imp} 10/350 μs	8 Line-PE	1 kA
C2 Impact Resistance 1.2/50 μs, 8/20 μs	Line-PE	3 kV, 1.5 kA
	Line-Line	150 V (After 2 μs)
Voltage Protection Level U_p 8/20 μs	Line-PE	550 V (After 2 μs)
	Line-Line	150 V (After 2 μs)
Protection Mode		Line-Line, Line-PE
Overvoltage Protection Response Time t_A		< 1 ns

AVCOMM Technologies, Inc. All rights reserved. Trademarks and trade names that may be used in this document are owned by their respective companies. Specifications subject to change without notice. Please ask our sales for the most up-to-date product information. Avcomm Technologies Inc. Add: 333 West Loop North Ste. 460, Houston, TX 77024

Transmission Rate TR	1000 Mbit/s
Insulation Resistance	≥ 2 MΩ
Interface Type	RJ45
Protected Pins	1, 2; 3, 6; 4, 5; 7, 8
Flame Rating	UL94 V-0
Mechanical	
Ingress Protection	IP 20
Dimension	101.5 mm×66 mm×18 mm (D x W x H)
Material	PC
Installation	DIN-Rail
Environmental	
Operating Temperature & Humidity	-40°C ~ 85°C, ≤90% (25°C)
Storage Temperature & Humidity	-40°C ~ 85°C, ≤85%
Altitude	≤4000m
Warranty	3 years

Installation dimensions

Unit: mm



Schematic Diagram

