



AVCOMM®

# AVC-A420-Relay Datasheet

Aiming to create better and safer working environments and life experiences through the products we deliver.



AVCOMM Technologies, Inc

[www.avcomm.us](http://www.avcomm.us)

Email: [info@avcomm.us](mailto:info@avcomm.us)

Phone: (713) 933-4534

Address: 333 West Loop North, Suite 460  
Houston, TX 77024  
United States

## Current/Voltage Signal Alarm Setter

# AVC-A420-Relay

The current/voltage signal alarm setter converts the 4mA~20mADC or voltage signal generated by the on-site transmitter into a standard 4mA~20mADC current signal, which is isolated and transmitted to PLC/DCS. Combined with the user set range, alarm point, alarm mode and other parameters, it controls the two relay alarm outputs to the isolation barrier.



### Features

- Wide range power supply
- Comply with EMC standards
- Can be connected to 2/3-wire transmitters and current source signals
- Dual relay alarm and 4mA ~ 20mADC current signal output

### Ordering Information

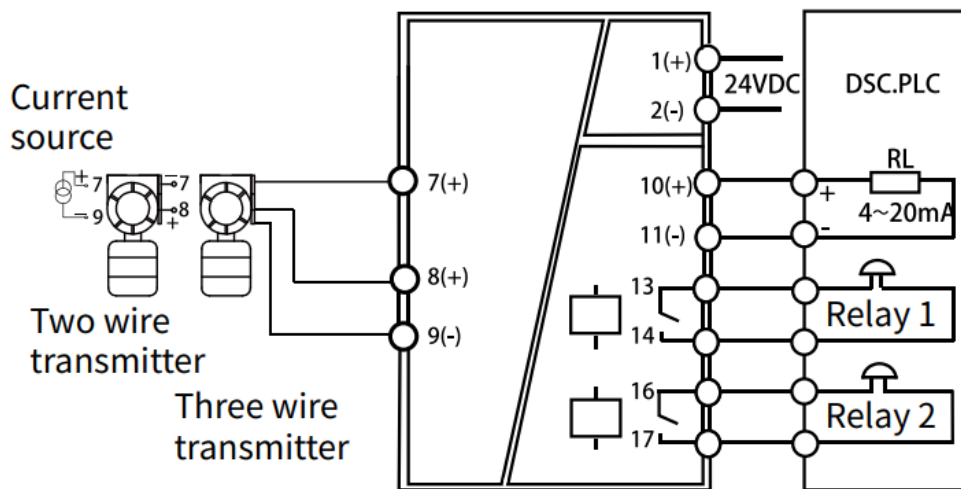
Model Name	Description
AVC-A420-Relay	4-20mA input, 2 x relay alarm and 4mA ~ 20mADC current signal output, 20V-35VDC

### Specification

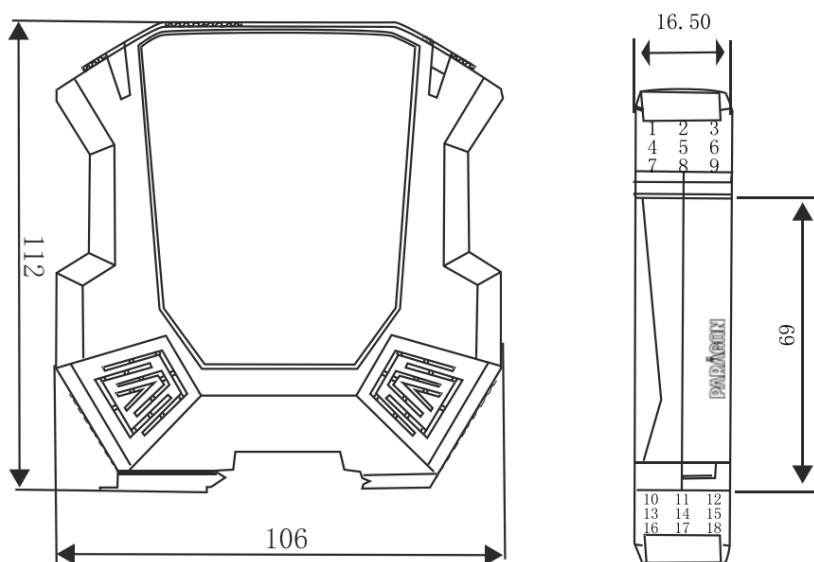
Technology	
Power supply	20V-35VDC
Power consumption	2W
Distribution voltage	Voltage>16V (current approximately 20mA)
Input signal type	4mA ~ 20mA, voltage signal
Input signal range	4mA ~ 20mADC
Allowable output load capacity	0 ~ 500Ω
Drive capacity	250VAC/2A or 30VDC/2A
Response time	≤20mS
Load capacity	Resistive load

<b>Transmission error</b>	0.2% final value
<b>Temperature coefficient</b>	50ppm/K measured value /100Ω load
<b>Compressive strength</b>	Over 100MΩ at 1500VDC, 1500VAC/ min
<b>Electromagnetic compatibility</b>	IEC61326-1
<b>Working temperature</b>	-25°C ~ + 85°C
<b>Humidity</b>	< 90% RH (non-condensing)
<b>Overall dimension</b>	Thickness 16.5 x Width 106 x Height 112 (mm)
<b>Installation</b>	DIN35mm
<b>Weight</b>	150g

## Wiring Diagram



## Installation dimensions



Unit: mm